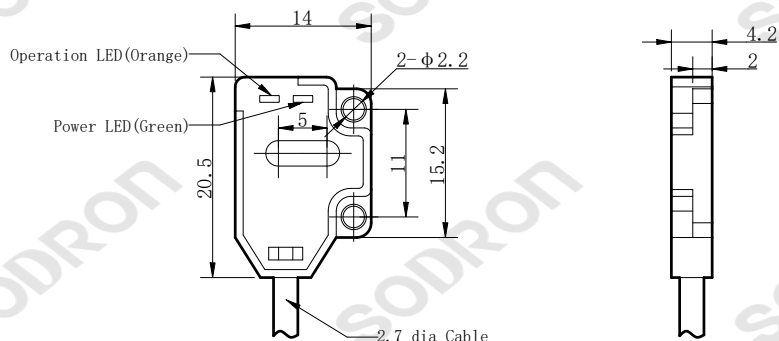




Dimension



Model

PF10-B30BNOR
PF10-B30BNCR
PF10-B30BPOR
PF10-B30BPCR

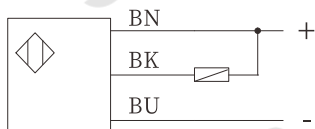
Technical parameters

Product Features

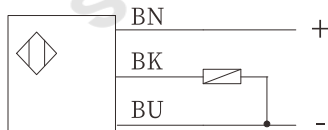
- BGS reflective
- ASIC, Fast Response, High Frequency
- IEC IP65

Connection

NPN



PNP



Sensing method	BGS reflective		
Model	NPN	PF10-B30BNOR	PF10-B30BNCR
	PNP	PF10-B30BPOR	PF10-B30BPCR
Output mode	Light-ON		Light-ON/Dark-ON
Sensing distance	4mm~30mm (centre distance 15mm) (White matte paper) 50*50mm)		
Standard target	> Φ0.2mm (Opaque object) (distance setting 15mm)		
Light source	640nm Red LED		
Supply power	DC 12~24V ±10%, impulse (P-P) <10%		
Residual voltage	<1V (Load Current: ≤50mA)		
Current consumption	<15mA		
Load current	≤50mA		
Circuit protection	Power reverse direction connection protection, short-circuit protection		
Response time	<1ms		
Indicator light	Output LED: Orange LED, Power/stable: Green LED		
Connection	Cable 2m		
Ambient temperature	Work: -25~+55°C; Store: -30~+70°C (No dew condensation or icing allowed)		
Ambient humidity	Work: 35~85%RH, Store: 35~95%RH, (No dew condensation)		
Ambient illumination	Sunlight :10,000Lx, lamplight:3,000Lx		
Anti-vibration	10~55Hz double-amplitude 1.5mmX,Y,Z 2h		
Withstand voltage	1000 VAC, 50/60 Hz, 1 min.		
Insulation resistance	> 20MΩ (DC500V megger) between current-carrying parts and case		
Anti-impact	500m/S ² X, Y,Z, directions for 3 times		
Protection degree	IEC IP65		
Material	Housing	PBT+ABS	
	Lens	PMMA	